



- SONDER is proud to offer the 02 and 05 Nm ball valve actuator of the NABM...02/05 Nm Series designed specifically applications for modulating control of cold and hot water.
- SONDER high quality ball valve actuators have been designed for use with open/closed and characterized ball valve with the use of SONDER special designed adapter, fitted directly on top of the ball valve.

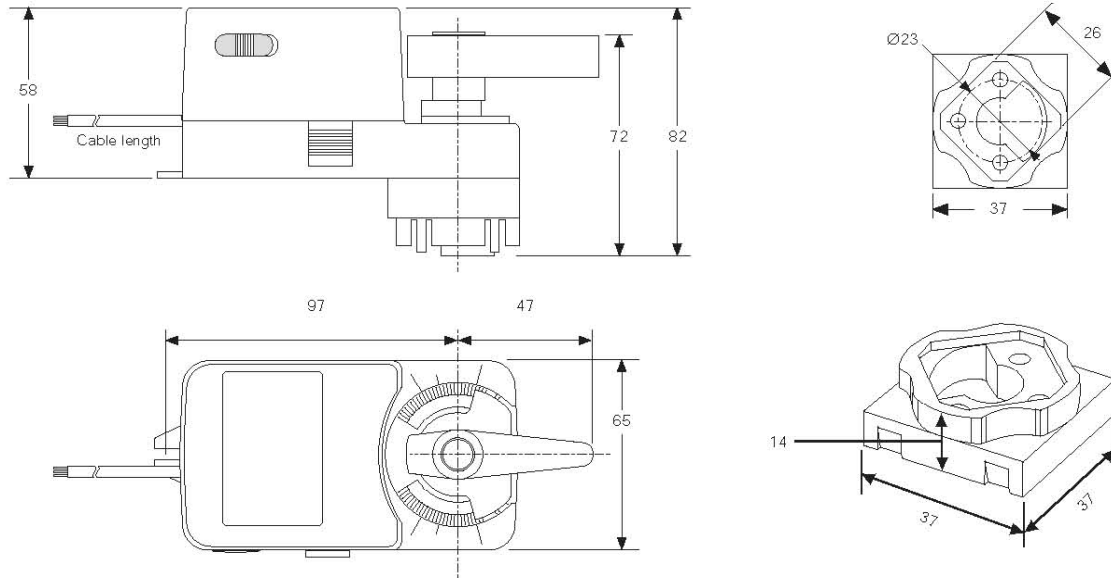
Product Features

- From 2–3 way ball valves from 1/2"=15 mm up to 2"= 50 mm
- Torque 2 Nm or 5 Nm, can be mounted in four different positions
- Nominal voltage AC/DC 24 V
- Simple direct mounting, square stem head for-fit out of rotary actuator
- Manual operation by lever by push button when required after disengaging the gearbox
- Selectable direction of rotation CW/CCW
- DC 0(2)...10 V Input Signal
- DC 0(2)...10 V Feedback Output Signal
- Actuators available with 1 m cable connection
- Customised version available, on request
- Ball valve actuators are controlled by analogue modulating control system and move the ball of the valve

Model Selection Table

Torque	Running Time	Power Supply	Auxiliary Switches	Model/Type
2 Nm	60...90 sec	AC/DC 24 V ±10%	No	NABM 1.2-02
5 Nm	70...100 sec	AC/DC 24 V ±10%	No	NABM 1.2-05

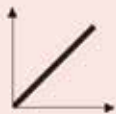
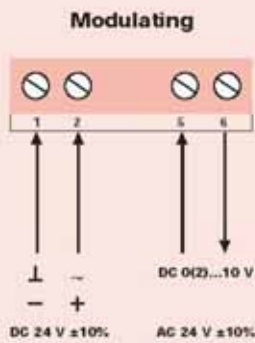
Actuator Dimensions (mm)



Technical Specification

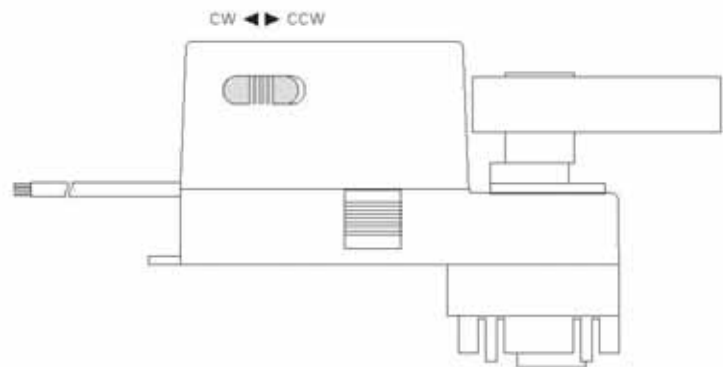
	NABM...02	NABM...05
Torque	2 Nm	5 Nm
Valve Size	15 mm	15 mm – 50 mm
Power Supply	AC/DC 24 V	AC/DC 24 V
Frequency	50-60 Hz	50-60 Hz
Power Consumption		
– Operating	2.0 W	2.0 W
– At the end stops	2.0 W	2.0 W
For wire sizing	4.0 VA	4.0 VA
Protection class	II	II
Input Control Signal 5	DC 0(2)...10 V	DC 0(2)...10 V
Output Control Signal 6	DC 0(2)...10 V	DC 0(2)...10 V
Angle of Rotation	90° (93° mechanical)	90° (93° mechanical)
Weight approx.	0.5 kg	0.5 kg
Service life	60,000 rotation	60,000 rotation
Sound Level	Max. 40 dB(A)	Max. 40 dB(A)
IP Protection	IP54	IP54
Ambient Temperature	-20°...+50°C / IEC 721-3-3	-20°...+50°C / IEC 721-3-3
Temperature medium	-20°...+115°C (ball valve)	-20°...+115°C (ball valve)
Inventory Temperature	-30°...+60°C / IEC 721-3-2	-30°...+60°C / IEC 721-3-2
Ambient Humidity	5...95% rH non condensing	5...95% rH non condensing
Maintenance	maintenance free	maintenance free
Impact	Typ I / EN 60730-1	Typ I / EN 60730-1
Standardize	89/336/CE	89/336/CE

Wiring diagram NABM1.2-...



Changing direction of rotation

The rotation can be reversed by pushing the CCW/CW switch on the housing of actuator.

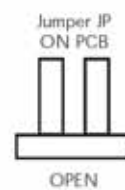


AC/DC 24 V; Connect via safety isolating transformer

Adjusting control signals NABM1.2-...

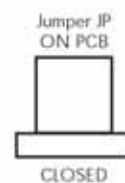
Control Signal 5 DC 0...10 V
Input Resistance Ri 100 k Ohm

Factory default setting



Control Signal 5 DC 2...10 V
Input Resistance Ri 500 Ohm

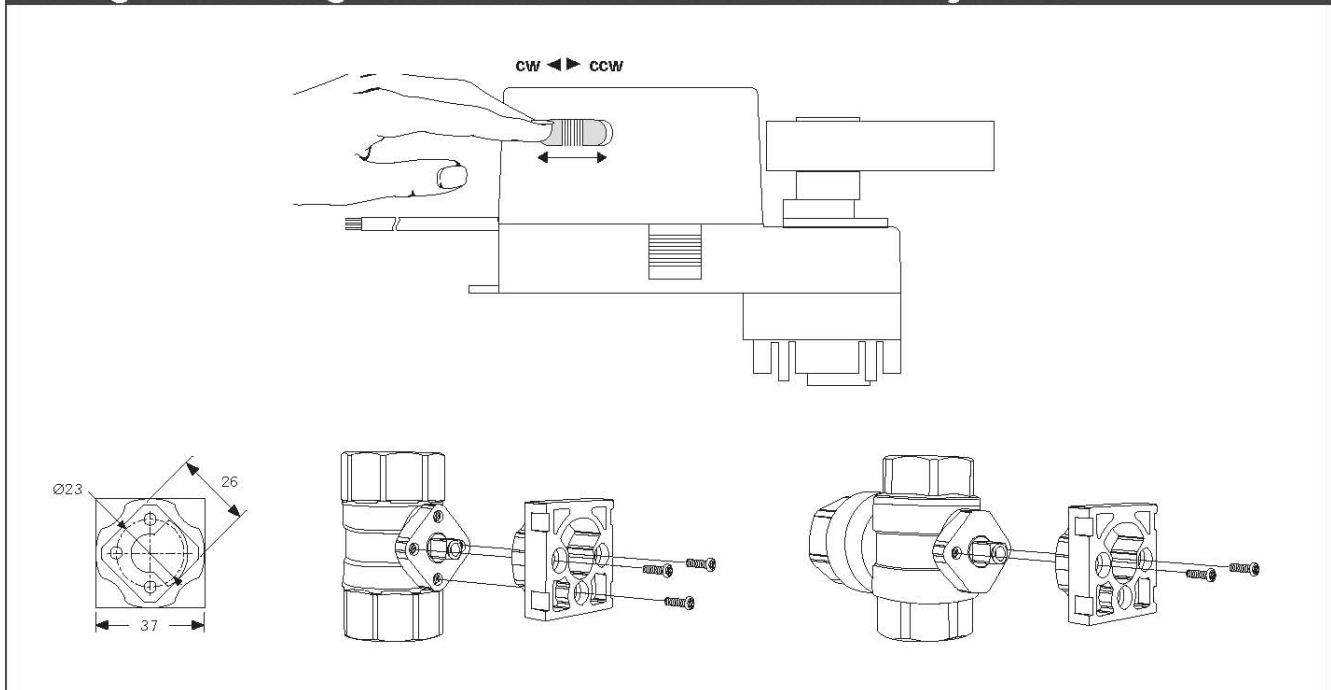
On request



OEM - customized version

SONDER offer you as well ball valve actuators in a customized version on request in your own brandname. Please contact us for further more detail information.

Fitting / Mounting ball valve actuator with 2-3 way valve



Important Remark

The SONDER NABA...(S1) / NABM1.2... ball valve actuator series can be equipped with a variety of SONDER products. Characterized 2-or 3-way ball valves the NVCB... series. Consult SONDER representatives or factory for the specific requirements and material selection for your intended application.

Nos puede encontrar en:

Nuestra web:
www.sonder.com

Consultas generales:
info@sonder-regulacion.com

Pedidos y presupuestos:
comercial@sonder-regulacion.com

Sonder Regulación S.A.

Avenida la llana N°93,

Pol. Ind. la Llana

08191 RUBÍ

(Barcelona) ESPAÑA

Tel.: +34 93 588 42 11

FAX: +34 93 588 49 94



The Energy Control