

SONDER REGULACIÓN

THE ENERGY CONTROL

Rotary Damper Actuator

Spring Return 5 Nm

2 Point On/Off Control



- SONDER **NAFA...05 (S1)** 5 Nm Spring Return damper actuator Series are designed specifically for application into the HVAC market.
- SONDER high quality damper actuators are developed for use with air damper, butterfly valve, characterized ball valve and other devices that required a fail safe function. The actuator motorized the damper or other devices when power on and spring back to it original position when power is cut off.

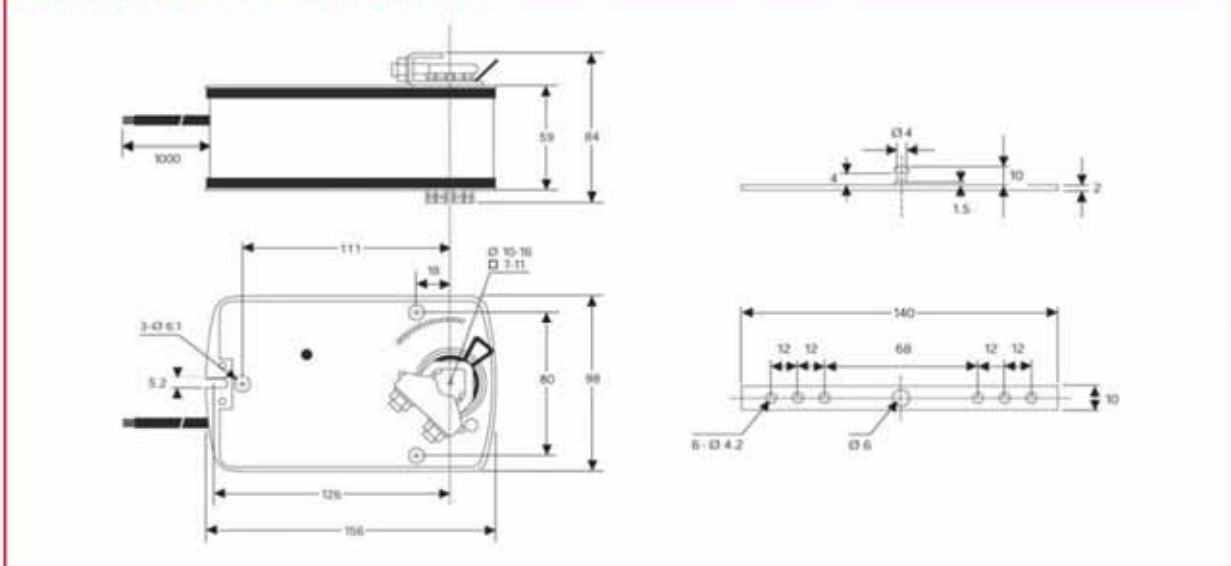
Product Features

- 2 points on/off control
- Damper Size up to 1.0 m²
- Voltage AC/DC 24V and AC 230V available
- Universal Spindle Clamp for easy direct mounting
- Shaft dimension Ø10...16 mm / □ 7...11 mm square
- Minimum Shaft Length 40mm
- Anti-rotation bracket provided for stability
- Adjustable angle of rotation
- Selectable direction of rotation by reversing actuator
- 1 adjustable SPDT auxiliary switches when requested
- Energy saving at end stops
- Actuators with 1m cable connection
- Customised version available on request

Model Selection Table

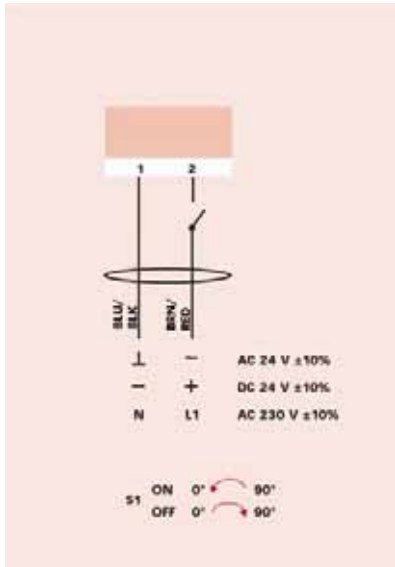
Torque	Running Time	Power Supply	Auxiliary Switches	Model/Type
5 Nm	50...70 sec	AC/DC 24V	No	NAFA 1-05
	Spring Back <20 sec		1 x SPDT	NAFA 1-05S1
5 Nm	50...70 sec	AC 230V ±10%	No	NAFA 2-05
	Spring Back <20 sec		1 x SPDT	NAFA 2-05S1

Actuator Dimensions (mm)

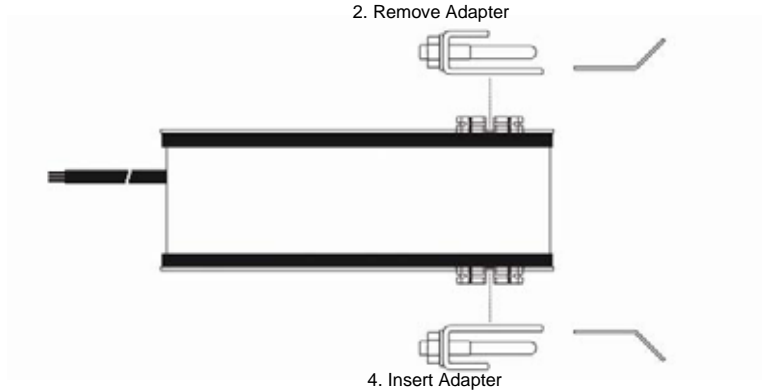


Technical Specification

	NAFA 1-05 (S1)	NAFA 2-05 (S1)
Torque — Motor (Rated Voltage)	Min. 5 Nm	Min. 5 Nm
— Spring	Min. 5 Nm	Min. 5 Nm
Damper Size	1 m ²	1 m ²
Power Supply	AC/DC 24 V	AC 230V
Frequency	50...60Hz	50...60Hz
Power Consumption		
-Operating	7.2 W	4.2 W
-At the end stops	2.5 W	2.5 W
For wire sizing	10.0 VA	10.0 VA
Auxiliary Switches Rating (Amp and Voltage)	3 (1.5) A / 230 V (for 24 V and 230 V)	3 (1.5) A / 230 V (for 24 V and 230 V)
Protection Class	II (for 24 V and 230 V)	II (for 24 V and 230 V)
Controls Signal	2 Point On/Off	2 Point On/Off
Angle of Rotation	90° (95° mechanical)	90° (95° mechanical)
Angle of Rotation Limiting	5°...85° in 5° step	5°...85° in 5° step
Weight	1.8 Kg	1.9 Kg
Life Cycle	60,000 rotation	60,000 rotation
Sound Level	Below 45 dB	Below 45 dB
IP Protection	IP54	IP54
Ambient Temperature	-20°...50° as per IEC 721-3-3	-20°...50° as per IEC 721-3-3
Ambient Humidity	5...95% RH	5...95% RH
Inventory Temperature	+70° as per 721-3-2	+70° as per 721-3-2
Maintenance	Maintenance free	Maintenance free
Certification	CE and ISO 9000 EN / EEC... Requirements	CE and ISO 9000 EN / EEC ... Requirements

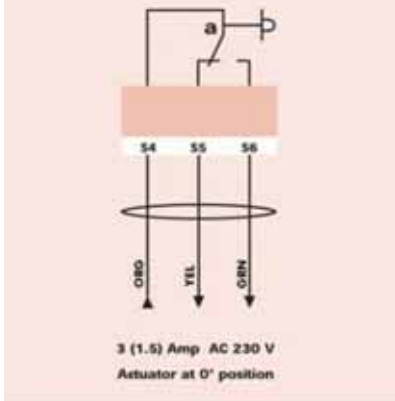


Changing Direction of Rotation NAFA...05 (S1)



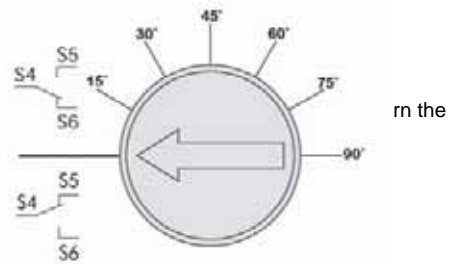
⚠ AC/DC 24V: Connect via safety isolating transformer.
AC 230V: To isolate from the main power supply, the system must incorporate a device which disconnects the phase conductors (with a least a 3 mm contact gap)

Auxiliary Switches NAFA..05 (S1)



Auxiliary Switches adjustment NAFA...05 (S1)

Switch **a** adjustable (screw from 0°....90°)



Angle of Rotation Limiting

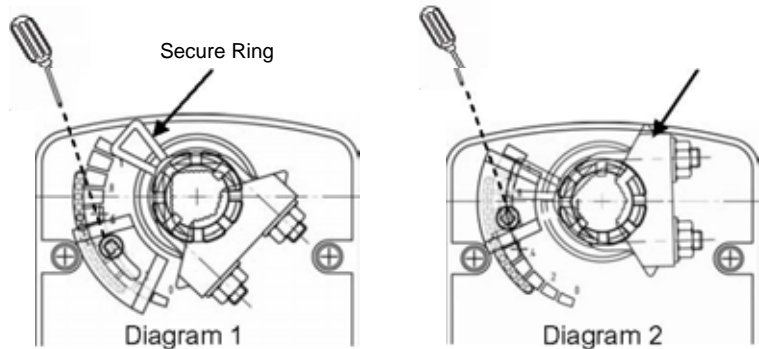
For 5° to 45° Adjustment (Diagram 1)

1. Loosen Screw of the mechanical limiter plate.
2. Move the limiter plate to the appropriate position.
3. Tighten the screw

For 45° to 85° Adjustment (Diagram 2)

1. Release the secure ring of the adapter.
2. Remove the adapter and turn negative 45° as shown.
3. Insert adapter and secure the adapter ring.
4. Loosen Screw of the mechanical limiter plate
5. Move the limiter plate to the appropriate position
6. Tighten the screw

Angle of Rotation Limiting 5° to 85° adjustment

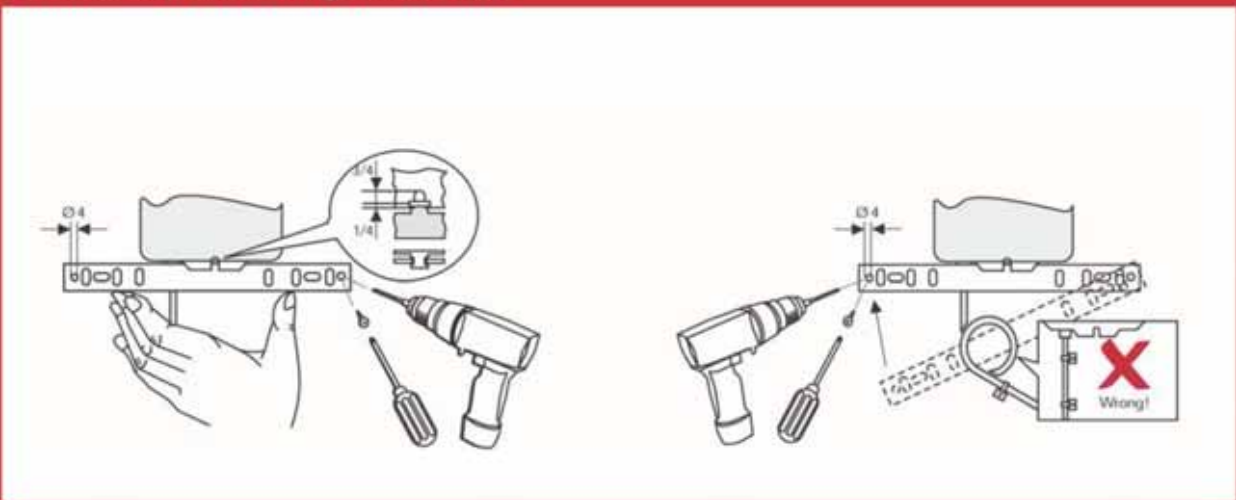


5° to 45° Adjustment 45° to 85° Adjustment

OEM—Customized Version

SONDER offer actuators in customized version on request in your own brand name. Please contact us for further information.

Installation / Mounting Instruction



Remarks

SONDER NAFA...05 (S1) Spring Return Actuator series can be used with a variety of SONDER products. Consult SONDER representative or factory for the specific requirements and selection for your intended application



This device contains electrical and electronic components and may not be disposed of as household garbage. Please consult your local authority for proper disposal.

Nos puede encontrar en:

Nuestra web:
www.sonder.com

Consultas generales:
info@sonder-regulacion.com

Pedidos y presupuestos:
comercial@sonder-regulacion.com

Sonder Regulación S.A.

Avenida la llana Nº93,
Pol. Ind. la Llana
08191 RUBÍ
(Barcelona) ESPAÑA
Tel.: +34 93 588 42 11
FAX: +34 93 588 49 94



The Energy Control