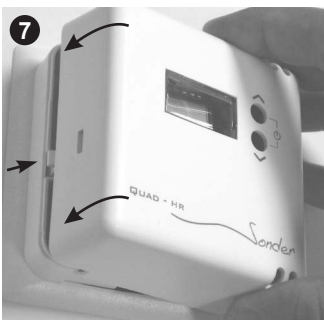


To connect according to the type of device



CAMBIO del TIPO de CONTROL
 If you press the key once, you view the CURRENT Control type, if you press again, you CHANGE the type.

In Cooling a higher differential is advisable in order to protect the motor.

If parameter HOF > Heating

If parameter HON > Humidifier

RESET
 Press the key for 10 seconds and the parameters change to the factory settings.

GUARANTEE CONDITIONS

This appliance has a two-years guarantee limited to replacement of defective parts.

We will not accept any responsibility for damage caused to the appliance by poor handling.

The guarantee does not include:

- Appliances with a damaged, effaced or altered series number.
- Appliances which have not been connected or used following the instructions that accompany it.
- Appliances which have been altered without the prior consent of the manufacturer.
- Appliances damaged by blows of liquid spills or gaseous emissions.

VERY IMPORTANT!

It is installer's responsibility to fit electrical protection suitable for the installation (STANDARDIZED).

This appliance should be mounted on a universal recessed box.

Device designed for use in non-polluted environments.

Independently mounted control device for surface mounting and connection to fixed wiring.

We reserve the right to make modifications without prior notice.

Sonder Regulación, S.A.

Avda. La Llana, 93
 08191 RUBÍ
 (Barcelona) Spain
 www.sonder.es



Cod.:5794 ESPV1-07/09



REGULATION MODE CONFIGURATION The device offers the following possibilities depending on the control required:

FACTORY > HEATING 1.1. Heating control with the parameter in HOF. CONTROLS HEATING, VIEWS HUMIDITY BUT DOES NOT REGULATE IT. The device Controls the Temperature of the Heating as a Thermostat with twin manual setting, in Normal Mode and ECO. When the relay is activated appears on the screen. It visualises the Humidity % but does not regulate it. Temperature and Humidity alternate on the screen.

HUMIDIFIER 1.2. Humidifier control with the parameter in HON. CONTROLS HUMIDITY, VIEWS TEMPERATURE BUT DOES NOT REGULATE IT. The device Controls the INCREASE in Humidity and can regulate two possible settings, Normal and ECO Mode. When the relay is activated the icon appears on the screen. It views the Temperature but does not regulate it. Humidity and Temperature alternate on the screen.

COOLING 2.1. Cooling control with the parameter in HOF. IT CONTROLS THE AIR CONDITIONING TEMPERATURE, VIEWS HUMIDITY BUT DOES NOT REGULATE IT. The device Controls the Air Conditioning Temperature and can regulate two possible settings, Normal and ECO Mode. When the relay is activated the icon appears on the screen. It views the Humidity % but does not regulate it. Humidity and Temperature alternate on the screen.

COOLING 2.2. Cooling control with the parameter in HON. IT VIEWS AND CONTROLS AIR CONDITIONING TEMPERATURE AND HUMIDITY. The device Views and Controls Temperature and Humidity. In both cases it can regulate two settings, Normal and ECO Mode. The thermostat will connect or disconnect the Air Conditioning when the room conditions of one of the two Humidity or Temperature settings are reached. When the relay is activated appears on the screen. Humidity and Temperature alternate on the screen.

SELECTION OF THE REGULATION MODE: THERMOSTAT WITH TWIN MANUAL SETTING > NORMAL MODE AND ECO MODE

Upon connection, the screen alternates between Room Temperature (Normal Mode) and % Humidity.

Pressing changes to ECO Mode. appears.

Pressing returns to Normal Mode. disappears.

N.B. To change the Humidity Setting the H parameter must be set to ON (Hon).

CHANGING THE REGULATION VALUES

With the thermostat in the regulation Mode to be modified, NORMAL, ECO

Pressing will change the values (flashing display)

Pressing reduces the value (flashing display)

Pressing increases the value (flashing display)

Wait 3 seconds. The device returns to the start screen (fixed display)

OFF / STOP

With the fixed display on any screen Press the two keys at the same time.

ON / RUN
 Pressing or returns to Regulate in the selected Mode

PROGRAMMING PARAMETERS

Pressing will input the desired temperature (flashing display)

With the display flashing pressing and arrows for 10 seconds. (Both at once)

Will enter in optional parameters

Advance to the next parameter

Change the value of the parameter

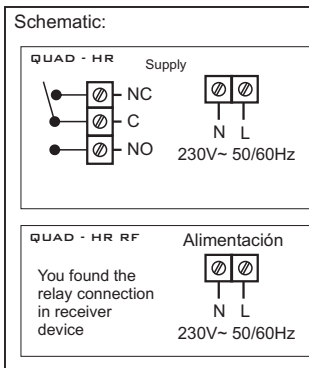
PARAMETERS TABLE TABLA DE PARÁMETROS

PARAMETERS	ESCALA
°C	Temperature viewing °C or °F
6L	Blocking the minimum temperature limit. 5 to 19°C / 41 to 66°F
30H	Blocking the maximum temperature limit. 20 to 35°C / 68 to 95°F
c0.0	Calibration of viewed temperature -3 to 3°C / -5,4 to 5,4°F
d0.3	Differential temperature: Heating 0,1 to 2°C / 0,2 to 3,6°F Cooling 0,2 to 2°C / 0,4 to 3,6°F
5A	Anti-frost temperature OFF, 5 to 18°C
HOF	ON/OFF Humidity Regulation HON / HOF
30L%	Blocking the minimum humidity limit 25 to 40%
60H%	Blocking the maximum humidity limit 45 to 85%
c0.0%	Calibration of viewed humidity -9,9 to 9,9%
d2.0%	Humidity differential 1 to 9%

TECHNICAL DATA

Dimension:

weight net: 108 grs. / gross: 135 grs.



Temperature Control scale:5 to 35°C / 41 to 95°F
 Humidity % Control scale:..... 20% to 90%.
 Ambient temperature:.....Tmin. 0°C, Tmax. 40°.
 Storage temperature:.....maximum 50°C.
 Power supply:..... 230V~10% 50/60Hz.
 Maximum cable size for connection supply:..... 1,5mm².
 Breaking power (Volt-free Contacts):..... 16(7)A 250V~.
 Maximum cable size for connection relay:..... 2,5mm².
 Contamination degree:.....2.
 Ingress Protection:..... IP20.
 Software type A:..... (Action type 1.B).
 Assigned pulse voltage:..... 2500 V.

QUAD - HR RF:
 Frequency signal:.....868,3 Mhz.
 Max. Distance Emitter - receiver:.....80m m free field.
 Repetition emitter-receiver signal:.....every 10 min.